

D 1000 APG



www.ausa.com

**AUSA Center, S.L.** ● Ctra. de Vic, Km 2.8 - P.O.B. 194. 08243 Manresa - BARCELONA (ESPAÑA) Tel.: +34 93 874 73 11 - E-mail: ausa@ausa.com



**AUSA Madrid** ● Pol. Ind. Coslada - C. Marconi 15-17. 28823 Coslada - MADRID (ESPAÑA) Tel.: +34 91 669 00 06 - E-mail: ausa.madrid@ausa.com  
**AUSA France** ● Z. I. Saint Charles - Rue de Zürich, 66000 PERPIGNAN (FRANCE) Tel.: +33 (0) 4 68 54 38 97 - E-mail: ausa.france@ausa.com  
**AUSA Deutschland** ● Heinrich - Welken Str. 5. 59069 HAMM (GERMANY) Tel.: +49 (0) 2384-9889905 - E-mail: ausa.deutschland@ausa.com  
**BEIJING Rep. Office** ● Address Room 527. HengXiang Building, Tuanjihu Nanli, Chaoyang District. - BEIJING 100026 (CHINA)  
 Tel.: 86-10-8597 1983 - Fax: 86-10-8597 1993 - E-mail: ausa.china@ausa.com

**AUSA UK** ● Tel.: 07970639988 - E-mail: ausa.uk@ausa.com  
**AUSA Brasil** ● Tel.: +55 51 32622111 - E-mail: ausa.brasil@ausa.com

(Sede central AUSA-Manresa)



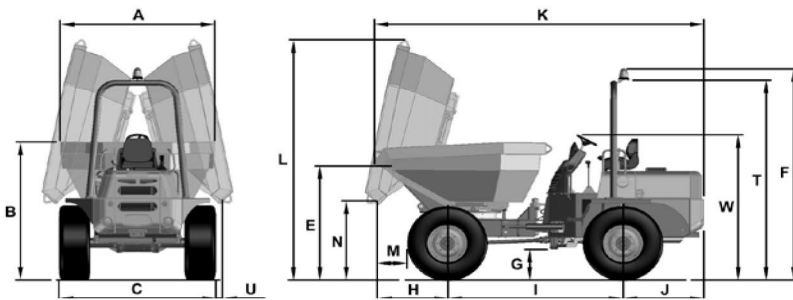
**D 1000 APG\_10000 Kg**



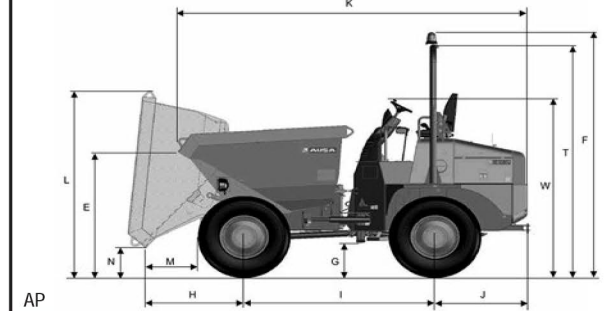
www.ausa.com

DIMENSIONS (mm)		D 1000 APG
A		2480
B		2385
C		2440
E		1950
F		3560
G		490
H		980
I		2450
J		1220
K		4740
L		3820
M		380
N		1100
T		3375 / 3220 (*)
U		110
W		2550

(\*) Closed cabin



APG



AP

**TECHNICAL SPECIFICATIONS**

		D 1000 APG
<b>Load capacity (Kg)</b>		10000
<b>Unloading system</b>		Hydraulic, 180° side rotating
<b>Chassis</b>		Articulated and oscillating
<b>Hopper capacities</b>	Water	1950
	Levelled	3140
	Heaped	4790
<b>Engine</b>	Diesel	KUBOTA V3800-CR-TIE4 with Diesel Particulate Filter and Diesel Oxidation Catalyst (DPF and DOC)
Stage IIIB / Tier 4 Int.	Power (KW/HP)	85 / 114
	N° of Cylinders	4
	Cooling system	Water
<b>Engine</b>	Diesel	KUBOTA V3800T
Stage III B / Tier 4	Power (KW/HP)	72.8 / 99
	N° of Cylinders	4
	Cooling system	Water
<b>Engine</b>	Diesel	KUBOTA V3800T
Non-EU EMISSION	Power (KW/HP)	72.8 / 99
Stage IIIA / Tier 3	N° of Cylinders	4
	Cooling system	Water
<b>Traction</b>		4 x 4 permanent
<b>Transmission</b>		Torque converter with synchronized gear box. 4 ratios forwards and 4 ratios backwards by means of an electro-hydraulic device. Axles with planetary reduction on differential output
<b>Engine starting system</b>		Electric
<b>Speed (max.) (km/h)</b>		38
<b>Unladen weight (Kg)</b>		4990
<b>Gradeability</b>		60%
<b>Hydraulic circuit</b>		Gear pump of 25 cc. Working pressure 180 bar
<b>Tyres</b>	Front	500/60-22,5" (16PR")
	Rear	500/60-22,5" (16PR")
<b>External turning radius (mm)</b>		5950
<b>Steering</b>		Hydraulic. Working pressure 115 bar
<b>Tank capacity (l)</b>	Carburant (l)	70
	Hydraulique	65
<b>Service brake</b>		Oil-immersed, multidisc, hydraulically operated
<b>Parking brake</b>		Oil-immersed, multidisc, mechanically operated
<b>STANDARD EQUIPMENT</b>		Ergonomic seat with safety belt Anti vandal system Audible reverse warning Rotating beacon Foldable ROPS arch
<b>OPTIONAL EQUIPMENT</b>		Closed cabin with heating Air conditioning Homologated lighting equipment Towing hitch Stop emergency Full visibility System with front and rear camera and 7" TFT water-proof color display Limited slip differential with negative parking brake Homologated ROPS/FOPS driver protective roof (with and without sun protector)